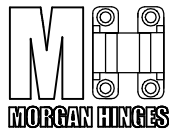
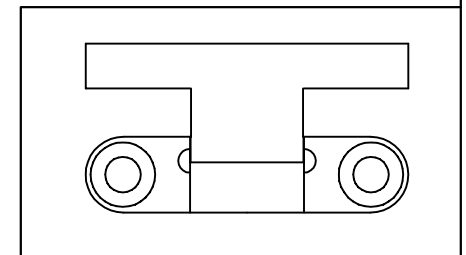
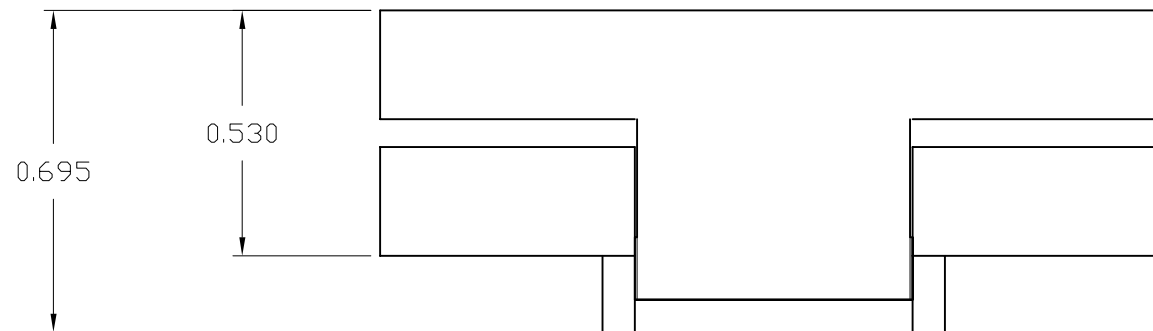
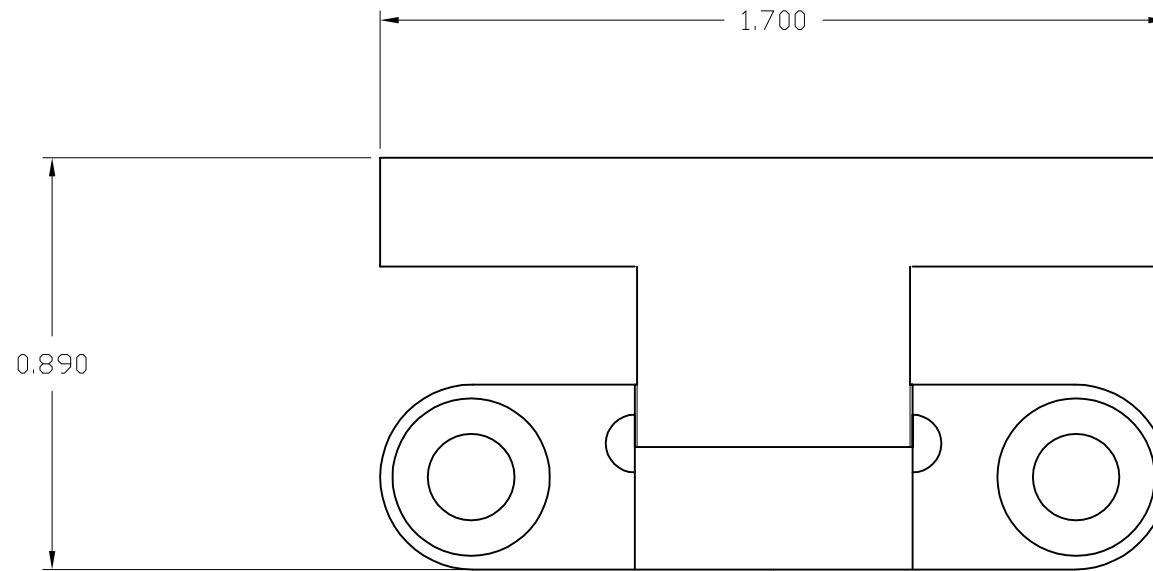


ILDH-4A-90



Morgan Hinges, Inc.  
 5000 Eldorado Parkway  
 Suite 150-317  
 Frisco, TX 75033  
 (469) 362-8090  
 www.morganhinges.com

The ILDH-4A-90 consists of the following items:  
 A - The ILDH-4A-180 side frame (without spring hole), see pg. 2.  
 B - The ILDH-4A-90 center link, see pg. 3.  
 C - One 1/16" x 3/4" stainless steel dowel pin (Brighton Best or equivalent. Min. double shear load of 800 lbs.).

- Tolerances for individual pieces are +/- 0.005"  
 - Hinge pieces are hand filed to achieve an appropriate fit  
 - Overall tolerances for an assembled hinge may vary by up to +/- 0.010

Part / Type: ILDH-4A-90 ASSY.

Material: 6061-T-6511 Aluminum

Tolerance: +/- 0.005

Units: IN

Revision Date: JUL-28-23

PG: 1/3