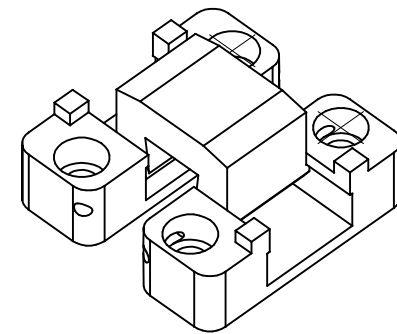
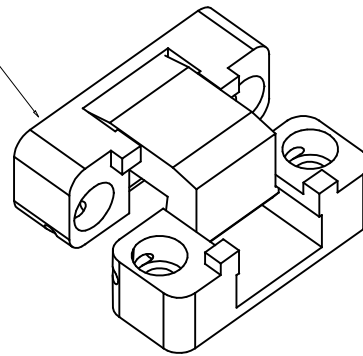


Current position of this side frame is forced by spring.



Morgan Hinges, Inc.
 10260 Bowling Green Drive
 Frisco, TX 75035
 (469) 362-8090
www.morganhinges.com

- A - One notched HCTH-5S-180 side frame (pg2)
- B - One HCTH-5S-180 side frame without notch (insert on pg2)
- C - One center link (see pg3)
 - Two 3/32" x 1" stainless steel dowel pins (Brighton Best or equivalent);
 - One LHO.028 spring (0.028" thick with a 0.170" dia. coil).

- Tolerances for individual pieces are +/- 0.005"
- Hinge pieces are hand filed to achieve an appropriate fit
- Overall tolerances for an assembled hinge may vary by up to +/- 0.010

Part/Type: HCTH-5S-180 ASSY.

Material: 416 Stainless Steel

Tolerance: +/- 0.005

Units: IN

Revision Date: DEC-08-11

PG: 1/3