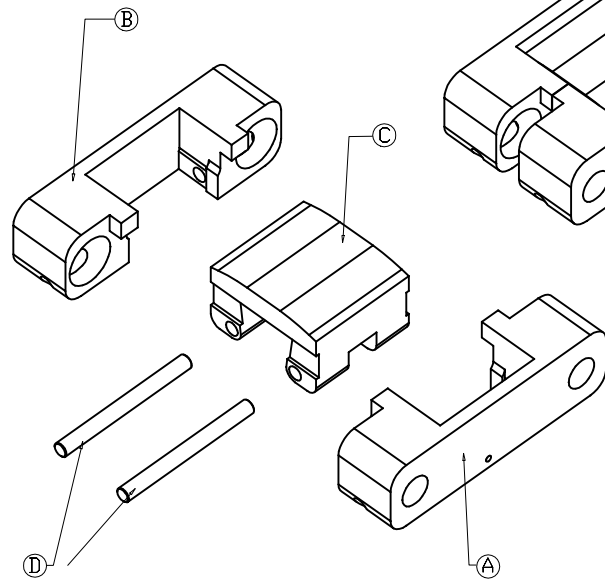
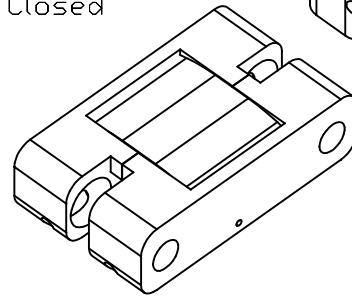


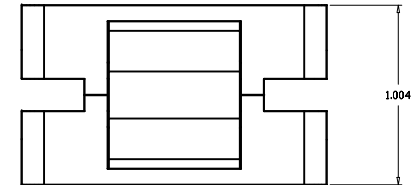
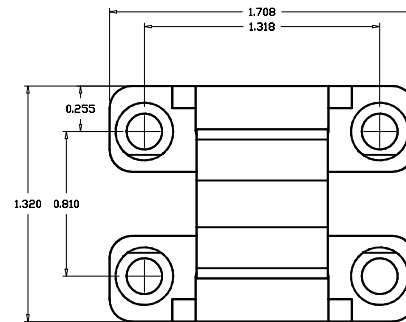
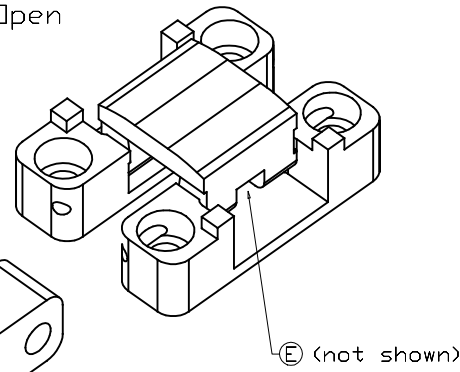
Exploded



Closed



Open



Morgan Hinges, Inc.
12262 Genova Court
Frisco, TX 75035
(469) 362-8090
www.morganhinges.com

A - One HCTH-4SR-180 side frame with spring hole (pg2)
B - One HCTH-4S-180 side frame with notch (insert on pg2)
C - One center link (see pg3)
D - Two 3/32" x 1" stainless steel dowel pins (Brighton Best or equivalent); min double shear load of 1800lbs.
E - One RHO.028 spring (0.028" thick with a 0.070" dia. coil).
F - Optional MB-4S(ADJ) mount block (see pg4).

- Tolerances for individual pieces are +/- 0.005"
- Hinge pieces are hand filed to achieve an appropriate fit
- Overall tolerances for an assembled hinge may vary by up to +/- 0.010
- US Patent #4,928,350

Part/Type: HCTH-4SR-180 ASSY.

Material: 416 Stainless Steel

Tolerance: +/- 0.005

Units: IN

Revision Date: MAY-01-15

PG: 1/4