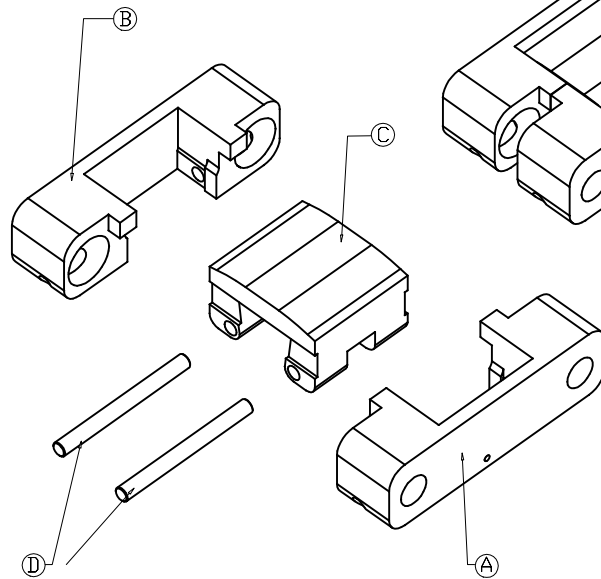
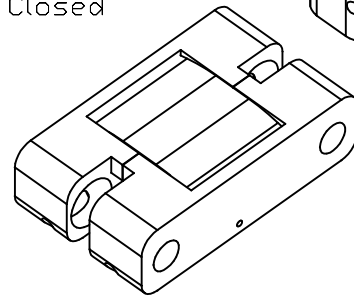


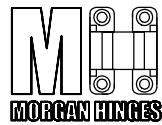
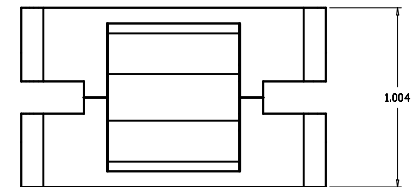
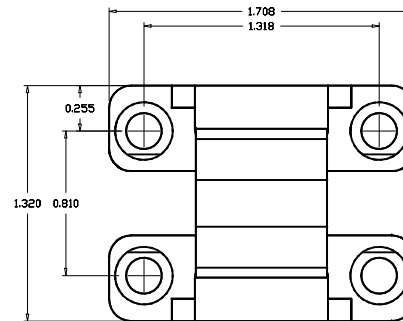
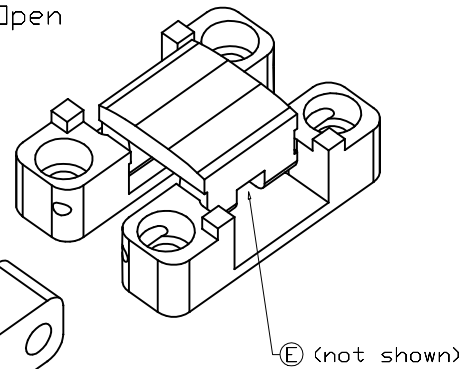
Exploded



Closed



Open



Morgan Hinges, Inc.
 5000 Eldorado Parkway
 Suite 150-317
 Frisco, TX 75033
 (469) 362-8090
 www.morganhinges.com

A - One HCTH-4SR-180 side frame with spring hole (pg2)
 B - One HCTH-4S-180 side frame with notch (insert on pg2)
 C - One center link (see pg3)
 D - Two 3/32" x 1" stainless steel dowel pins (Brighton Best or equivalent); min double shear load of 1800lbs.
 E - (Not Shown) One RHO.028 spring (0.028" thick with a 0.070" dia. coil).
 F - Optional MB-4S mount block (see pg4).

- Tolerances for individual pieces are +/- 0.005"
 - Hinge pieces are hand filed to achieve an appropriate fit
 - Overall tolerances for an assembled hinge may vary by up to +/- 0.010

Part/Type: HCTH-4SR-180 ASSY.

Material: 416 Stainless Steel

Tolerance: +/- 0.005

Units: IN

Revision Date: MAY-01-15

PG: 1/4