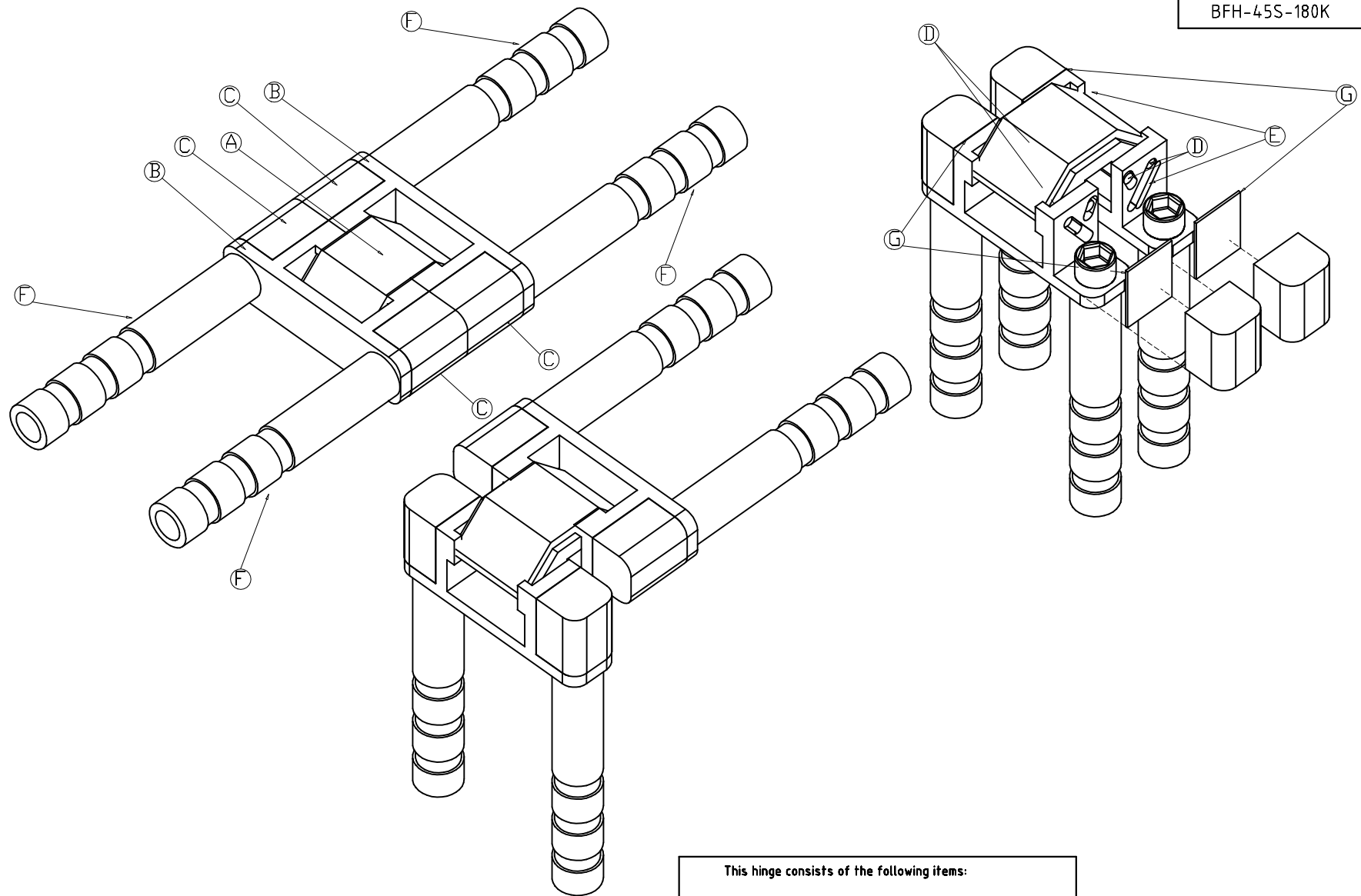


BFH-45S-180K



**This hinge consists of the following items:**

- (A) One BFH-45S-180 Center Link (see pg. 2)
- (B) Two BFH-45S-180 Side Frames (see pg. 3)
- (C) Four BFH-45S-180 Screw Covers (see pg. 5)
- (D) Four 1" x 3/32" Steel Dowel Pins.
- (E) Two Restrainers (see pg. 6)
- (F) Four optional LM 10/32-2.2 Leg Mounts (see pg. 4)
- (G) Four Pin Covers (see pg. 7)

The individual pieces have tolerances ranging from +/- 0.001 to 0.005. However, they are hand filed to achieve the appropriate fit and the overall tolerances may stack up to 0.010.



Morgan Hinges, Inc.  
10260 Bowling Green Drive  
Frisco, TX 75035  
(469) 362-8090  
www.morganhinges.com

Part/Type: BFH-45S-180K	
Material: 6061-T-6511 Aluminum / 416 stainless	
Tolerance: +/- 0.005	Units: IN
Revision Date: APR-26-13	PG: 1/9